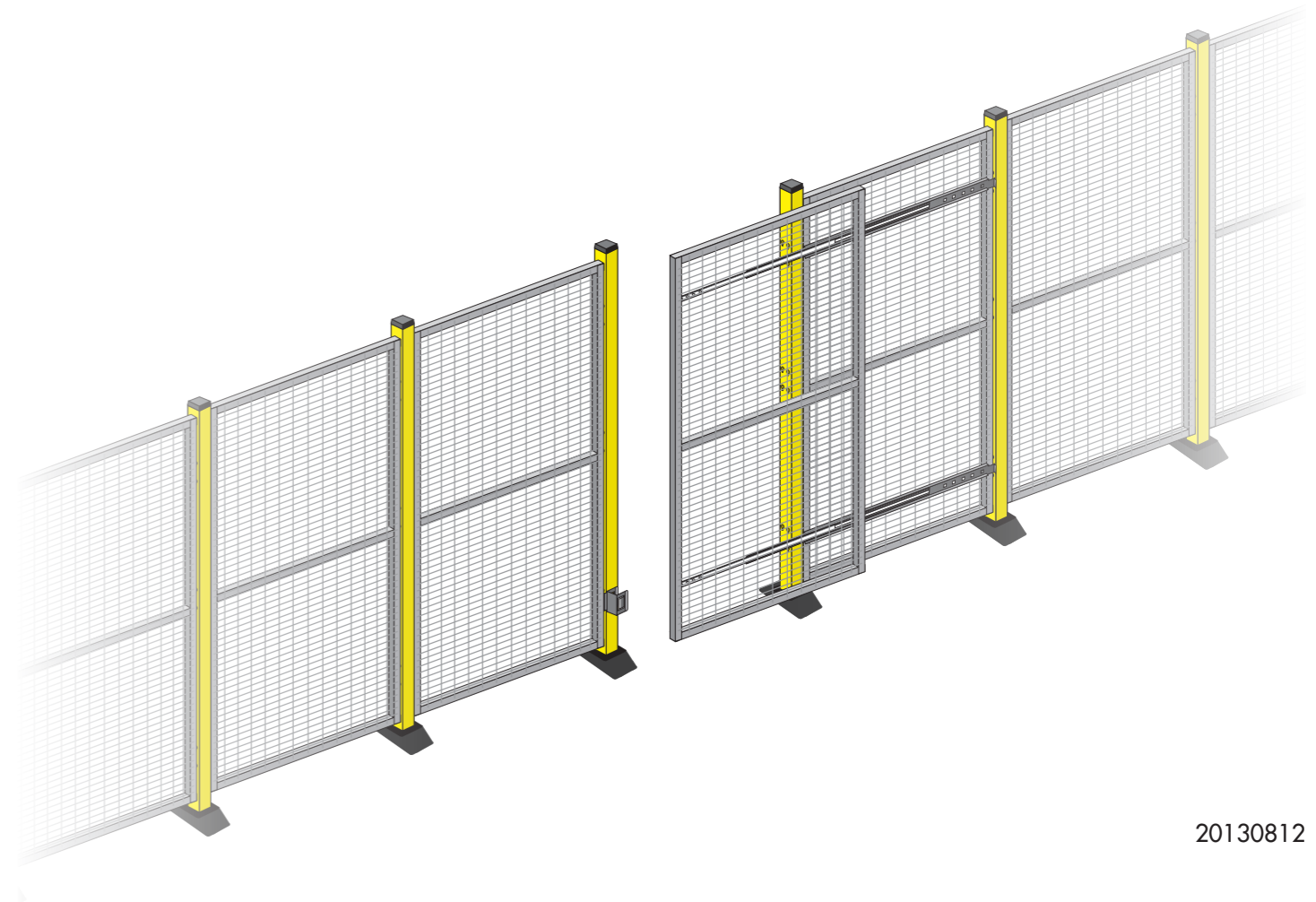


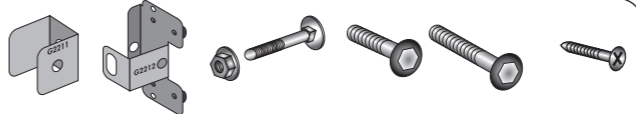
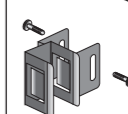
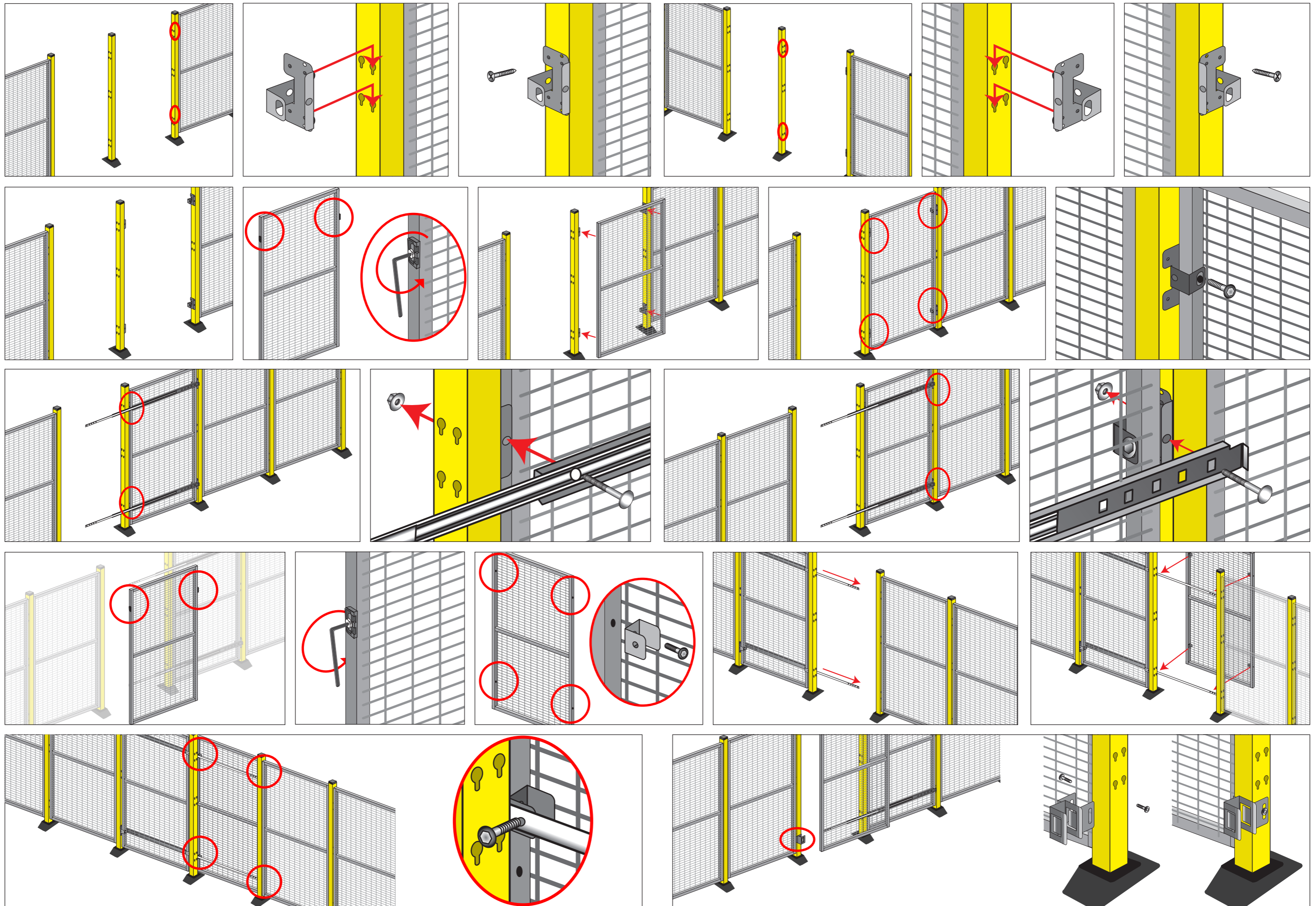


# Axelent X-Guard Assembly Guide D26-XXX090

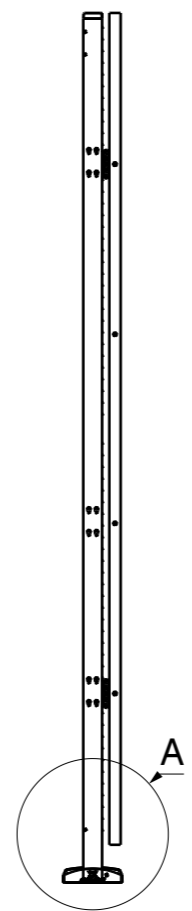
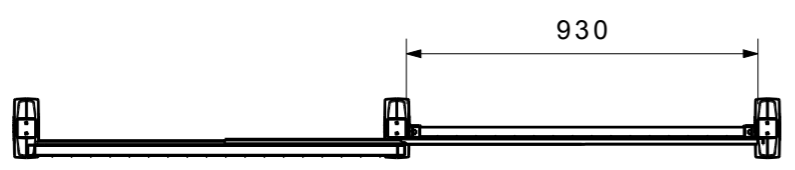
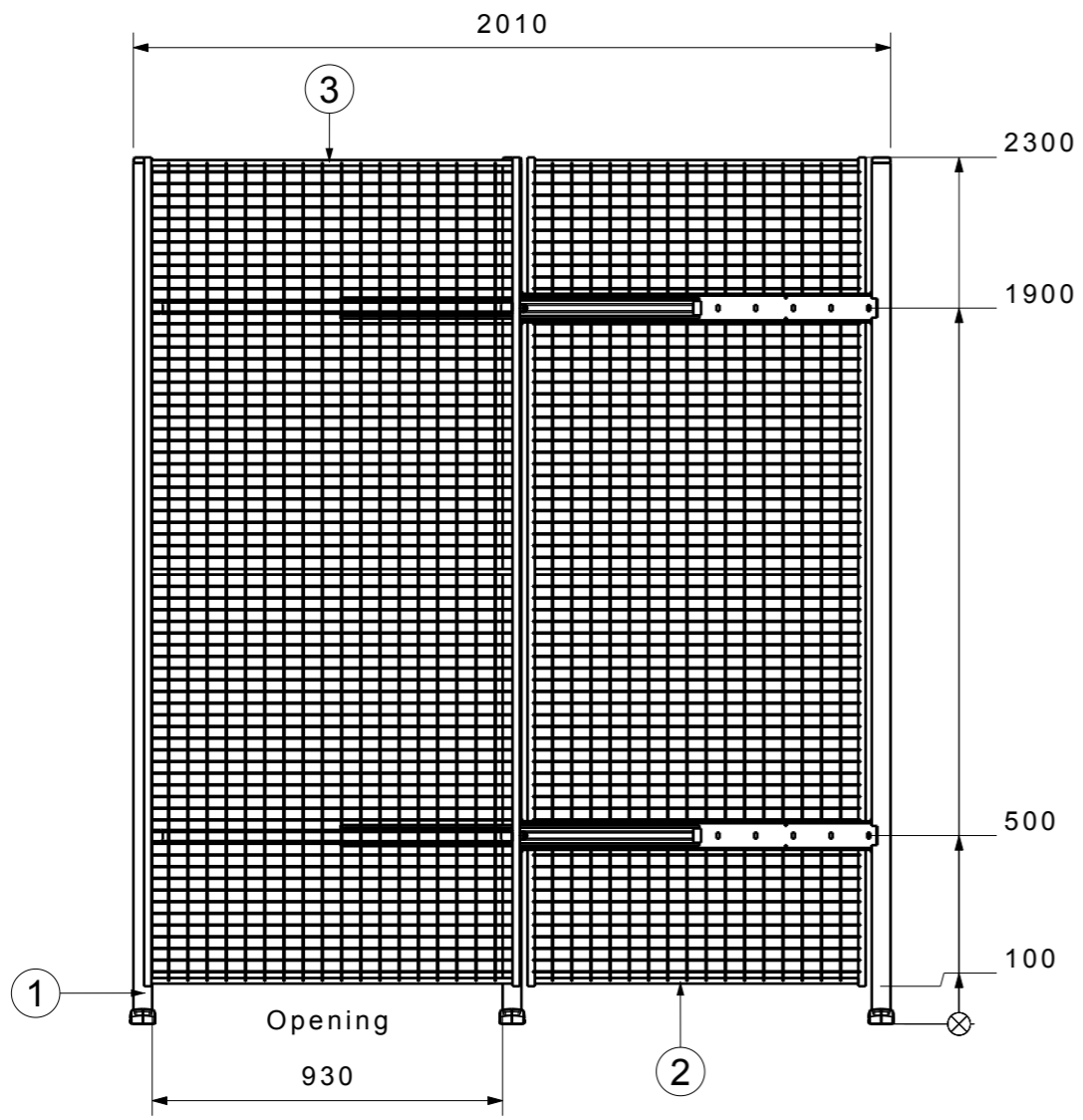


20130812

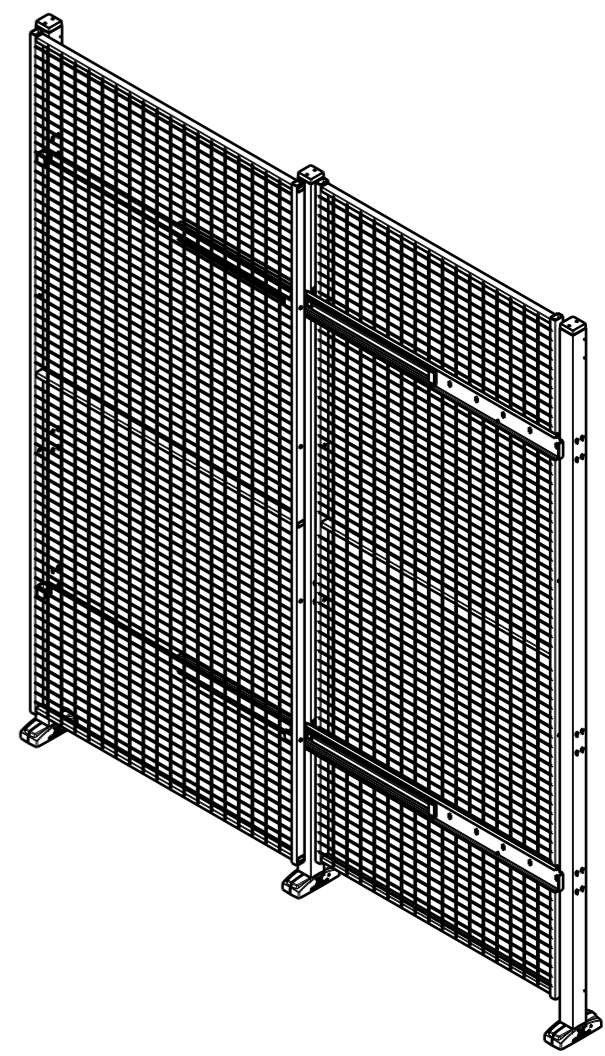
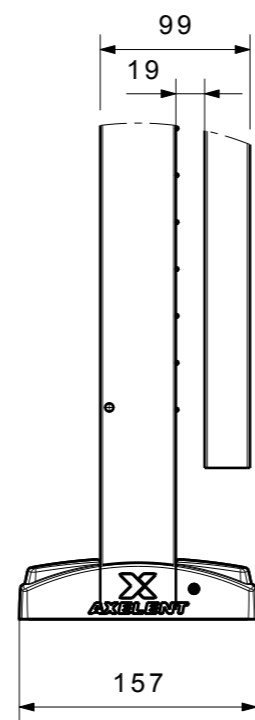
 <b>B26-5L</b> x 1	 x 2 A
<b>B26-5J</b> x 1	 x 4 A x 4 B x 4 C x 4 D x 8 E x 4 F
<b>B20-2C</b> x 1	 x 1 A



H G F E D C B A



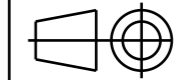
A (1:5)



Item No.	Name	Quantity
1	P11-230	3
2	322-220090	1
3	322-220100	1



Title  
D26-XXX090



Scale 1:20	Rev. --A	Date 4/30/2013
---------------	-------------	-------------------

H G B A