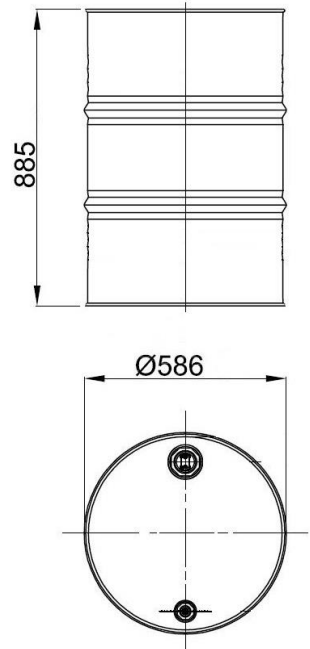


Product Specification Steel Drum

Greif Item	DRST03849SC10006
Drum Type	Tight Head Drum
Construction	
Capacity	216 l
Material Thickness	1,0/0,8/1,0 mm
Corrugation	C20; 2 Beads and no corrugations
Diameter	586 mm
Height	885 mm
UN-Marking	1A1/X/250/YR/N/NET0335B
External Coating	
Thickness	Stoving enamel quality
Colour top	Minimal average 15 µm
Colour body	Sapphire Blue RAL 5003
Colour bottom	Sapphire Blue RAL 5003
Decoration	Eco Grey
Internal Coating	
Food approval	N/A
Closures	
Material	2" and ¾" Tri-Sure closures
Washers	Electrical Zinc plated
Tab-Seal Caps	White EPDM
Removable Lid	
Sealing	¾" white prefitted
Closing ring	N/A
Packaging	
No of pcs / pallet	4
Pattern	Pallet 1140x1140x138 mm, Fully wrapped
Comment	



Revisions

Date	Comment
2022-10-18	Document created
2025-09-01	Colour and Tab-Seal updated

Product shown is for illustration purpose only
 This specification does not relieve the customer of their ultimate responsibility for the determination of the appropriate container. It is the customer's responsibility to select the appropriate packaging based upon all information at their disposal including the specific application, regulatory compliance, product compatibility and shipping requirements. WE HEREBY DISCLAIM AND EXCLUDE ANY EXPRESS OR IMPLIED WARRANTIES, INCLUDING WITHOUT LIMITATION THE IMPLIED WARRANTIES OF MERCHANTABILITY AND FITNESS FOR A PARTICULAR PURPOSE. GREIF is not liable for improper use of its products and is entitled to arrange technical changes without prior advice.