



<b>EAN:</b>	4013288196446	<b>Size:</b>	122x83x37 mm
<b>Part number:</b>	05078636001	<b>Weight:</b>	164 g
<b>Article number:</b>	7772 B	<b>Country of origin:</b>	TW
		<b>Customs tariff number:</b>	82079099

- For torque wrenches from the Click-Torque X series with 9x12 mm mounting
- For 3/8" square socket wrench inserts and 3/8" connecting parts with square drive
- Fine tothing with 72 teeth
- Easy switching by knob
- Socket lock by push button

Ratchet insert, reversible, for 3/8" square socket wrench inserts and 3/8" connecting parts with square drive; for torque wrenches of the Click-Torque X series with 9x12 mm holder.

**Web link**  
<https://www.wera.de/en/05078636001>

Wera - 7772 B  
05078636001 - 4013288196446

Wera Werkzeuge GmbH  
Korzter Straße 21-25  
D-42349 Wuppertal  
Tel: +49 (0)2 02 / 40 45-0  
E-Mail: [info@wera.de](mailto:info@wera.de)

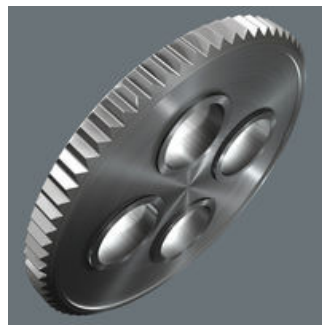
Drive 9x12 mm



9x12 mm

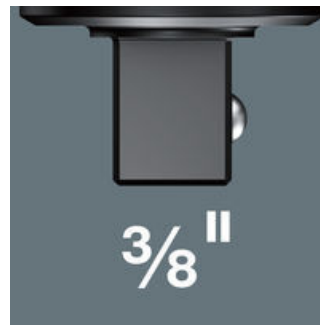
For torque wrenches from the Click-Torque X series with 9x12 mm mounting.

Small return angle



Fine-pitched with 72 teeth for a return angle of only 5°

3/8" external square



3/8"

For 3/8" square socket wrench inserts and 3/8" connecting parts with square drive.

Easy switching



Easy switching by knob.

Secure socket locking



Safe socket lock via push button

Chrome vanadium steel



The insert tools are suitable for high loads thanks to their chrome-vanadium steel design.

Further versions in this product family:



mm



inch



mm



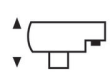
mm



mm



mm



mm

05078636001	9x12	3/8"	17.5	52.1	35.5	35	35.5
-------------	------	------	------	------	------	----	------

Web link

<https://www.wera.de/en/05078636001>

Wera - 7772 B

05078636001 - 4013288196446

Wera Werkzeuge GmbH

Korzter Straße 21-25

D-42349 Wuppertal

Tel: +49 (0)2 02 / 40 45-0

E-Mail: [info@wera.de](mailto:info@wera.de)