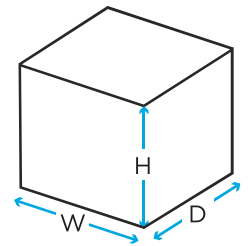


# Spill Containment Tray (60 l)

Technical Data



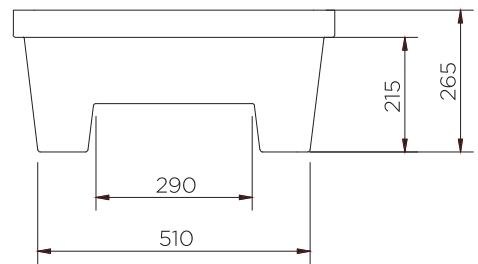
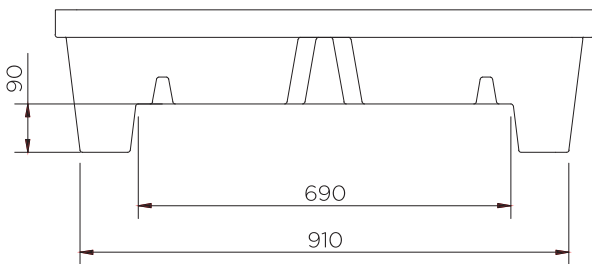
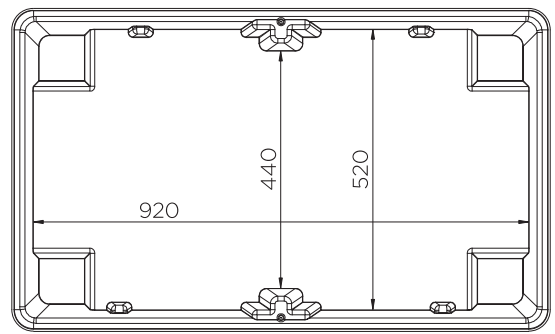
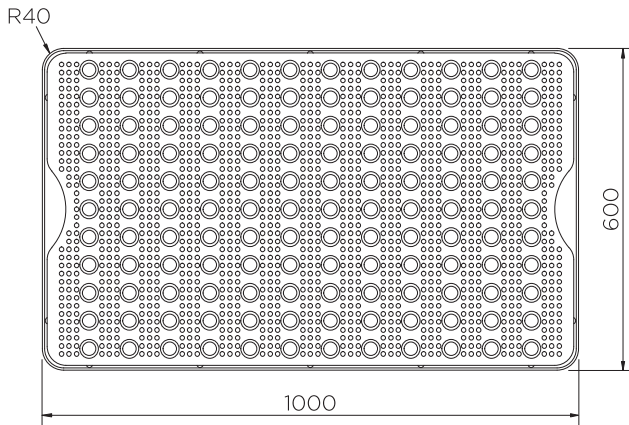
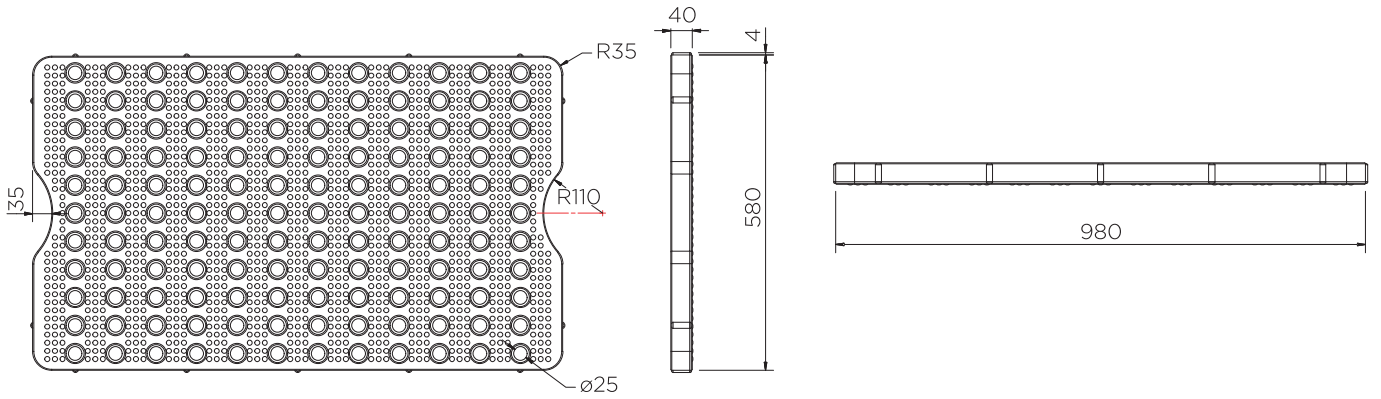
Platforms are also available in **black** and **green**, minimum order quantities may apply.

Colour	H x W x D (mm)	Platform (mm)	Weight (kg)	Capacity (l)	Max. load (kg)	DIBt
ST2-60-YE-BK ●	265 x 1000 x 600	40 x 980 x 580	9	60*	225	-
ST2-60-BK-BK/D ●						Z.40.22-485
ST2-60-B-BK ●		-	5	90	-	-
ST2-60-B-BK/D ●				60*		Z.40.22-485

\*Measured to underside of platform

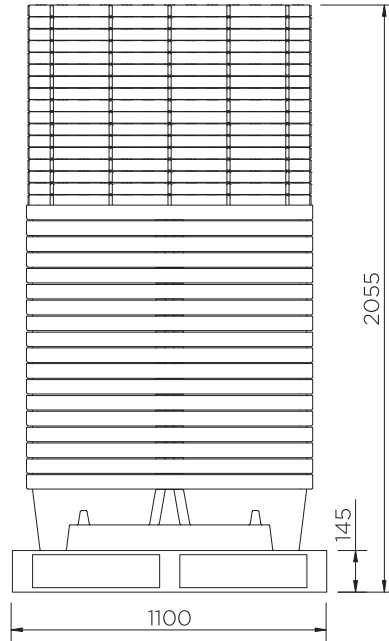
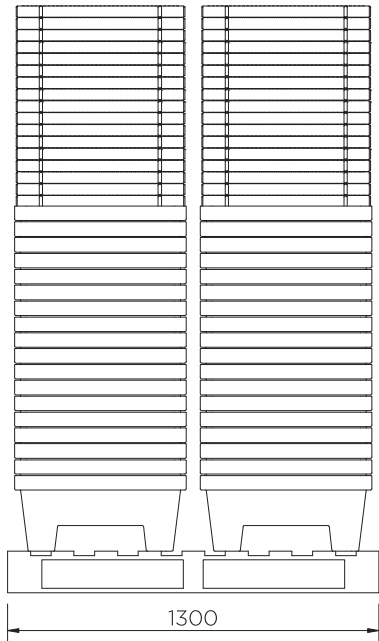
# Spill Containment Tray (60 I)

Technical Data



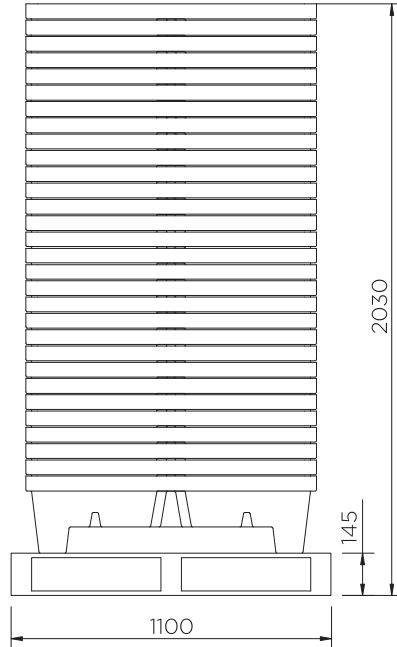
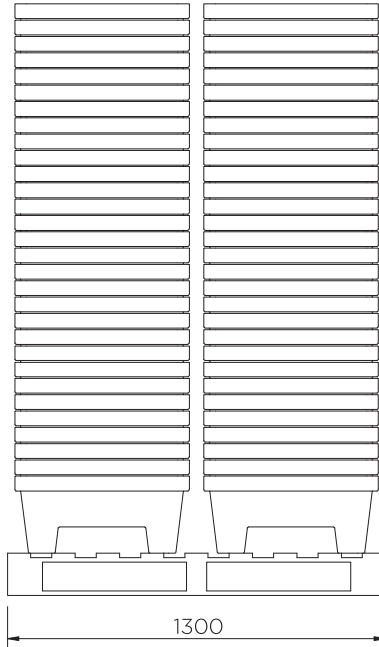
# Spill Containment Tray (60 l)

Technical Data



**ST2-60-XX-BK**

Pieces per pallet	36
20' container	288
40' high cube container	648
13.6 m trailer	792



**ST2-60-B-BK**

Pieces per pallet	60
20' container	480
40' high cube container	1080
13.6 m trailer	1320

The information is to our best knowledge true and accurate but all recommendations or suggestions are made without guarantee.