

ALPHA

3477UOH100P62

EAN 4031582306019
Order number 00001413



BETTER MOBILITY. BETTER LIFE.



Image may differ from the original product

PERFORMANCE

Roll performance	● ● ● ○ ○
Movement noise	● ● ● ○ ○
Attrition	● ● ● ● ○
Corrosion resistance	● ● ● ○ ○

CORE ATTRIBUTES

Product name	Alpha
Type	Swivel castor with total lock
Standard	EN12532 - Transport Equipment
Load capacity at 4 km/h	200 kg
Load capacity Static	400 kg
Temperature range (Minimum)	-25 °C
Temperature range (Maximum)	80 °C
Overall height	128 mm
Overall width	75 mm
Overall weight	0.931 kg

WHEEL

Body material	Polyamide
Tread material	Identical with wheel body
Bearing	Plain bearing
Axle	Screwed with nut
Wheel color	Natural white
Threadguards	With threadguard
Diameter	100 mm
Tread width	36 mm
Body width	36 mm
Hardness of tread (D)	75 Shore D

HOUSING

Material fork	Steel sheet, heavy
Fork shape	Broad
Swivel bearing	Two ball races
Colour	Blue passivated
Offset	41 mm
Swivel radius	123 mm
Swivel interference	246 mm
Dome diameter	75 mm

FITTING

Fitting type	Small rectangular plate
Plate length	105 mm
Plate width	80 mm
Plate hole length (Minimum)	77 mm
Plate hole length (Maximum)	60 mm
Plate hole width (Minimum)	77 mm
Plate hole width (Maximum)	80 mm
Plate hole diameter	9 mm

ALPHA

3477UOH100P62

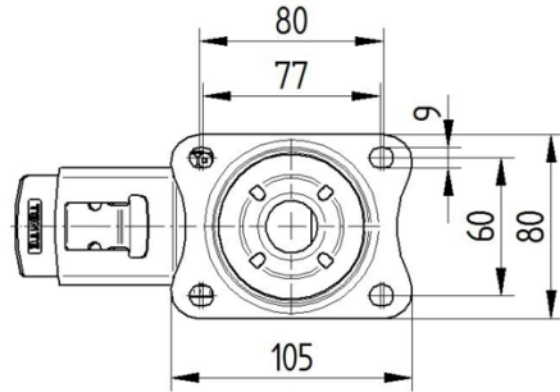
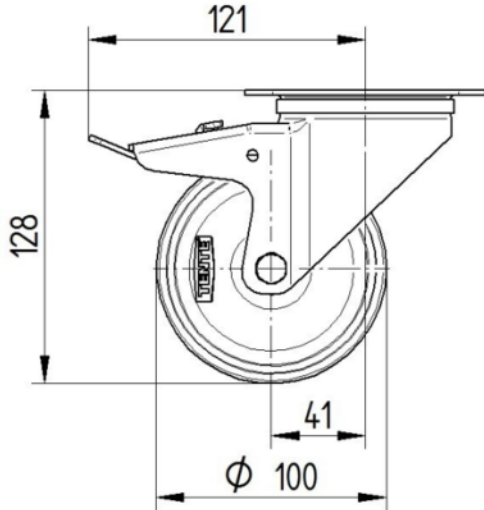
EAN 4031582306019
Order number 00001413



BETTER MOBILITY. BETTER LIFE.

TECHNICAL DRAWINGS

3477U00100P62-neu



Platte 3470-080P62-105x80

