

ALPHA

3477PVR080P62

EAN 4031582050707
Order number 00001389



BETTER MOBILITY. BETTER LIFE.



Image may differ from the original product

PERFORMANCE

Roll performance	● ● ● ○ ○
Movement noise	● ● ● ● ○
Attrition	● ● ● ○ ○
Corrosion resistance	● ● ● ○ ○

CORE ATTRIBUTES

Product name	Alpha
Type	Swivel castor with total lock
Standard	EN12532 - Transport Equipment
Load capacity at 4 km/h	70 kg
Load capacity Static	140 kg
Temperature range (Minimum)	-20 °C
Temperature range (Maximum)	60 °C
Overall height	108 mm
Overall width	75 mm
Overall weight	0.857 kg

WHEEL

Body material	Polypropylene
Tread material	Solid rubber, black
Bearing	Roller bearing
Axle	Screwed with nut
Wheel color	Graphite black (RAL9011)
Threadguards	Without threadguard
Diameter	80 mm
Tread width	35 mm
Body width	35 mm
Hardness of tread (A)	80 Shore A

HOUSING

Material fork	Steel sheet, heavy
Fork shape	Broad
Swivel bearing	Two ball races
Colour	Blue passivated
Offset	44.5 mm
Swivel radius	121 mm
Swivel interference	242 mm
Dome diameter	75 mm

FITTING

Fitting type	Small rectangular plate
Plate length	105 mm
Plate width	80 mm
Plate hole length (Minimum)	77 mm
Plate hole length (Maximum)	60 mm
Plate hole width (Minimum)	77 mm
Plate hole width (Maximum)	80 mm
Plate hole diameter	9 mm

ALPHA

3477PVR080P62

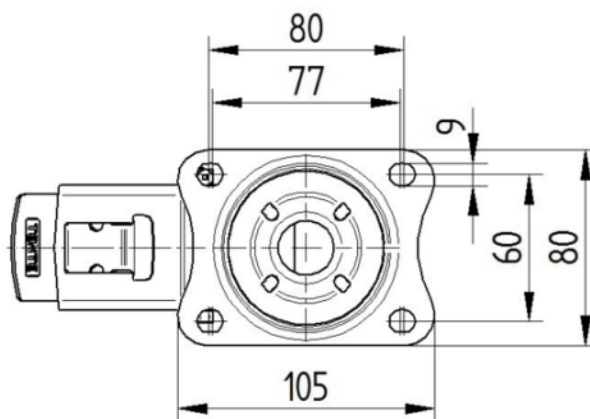
EAN 4031582050707
Order number 00001389



BETTER MOBILITY. BETTER LIFE.

TECHNICAL DRAWINGS

3477U00080P62-neu



Platte 3470-080P62-105x80

