

ALPHA

3470UOO080P62

EAN 4031582010190
Order number 00006000



BETTER MOBILITY. BETTER LIFE.



Image may differ from the original product

PERFORMANCE

Roll performance	● ● ● ○ ○
Movement noise	● ● ● ○ ○
Attrition	● ● ● ● ○
Corrosion resistance	● ● ● ○ ○

CORE ATTRIBUTES

Product name	Alpha
Type	Swivel castor
Standard	EN12532 - Transport Equipment
Load capacity at 4 km/h	200 kg
Load capacity Static	400 kg
Temperature range (Minimum)	-25 °C
Temperature range (Maximum)	80 °C
Overall height	108 mm
Overall width	75 mm
Overall weight	0.577 kg

WHEEL

Body material	Polyamide
Tread material	Identical with wheel body
Bearing	Plain bearing
Axle	Screwed with nut
Wheel color	Natural white
Threadguards	Without threadguard
Diameter	80 mm
Tread width	34 mm
Body width	34 mm
Hardness of tread (D)	75 Shore D

HOUSING

Material fork	Steel sheet, heavy
Fork shape	Broad
Swivel bearing	Two ball races
Colour	Blue passivated
Offset	40 mm
Swivel radius	80 mm
Swivel interference	160 mm
Dome diameter	75 mm

FITTING

Fitting type	Small rectangular plate
Plate length	105 mm
Plate width	80 mm
Plate hole length (Minimum)	77 mm
Plate hole length (Maximum)	60 mm
Plate hole width (Minimum)	77 mm
Plate hole width (Maximum)	80 mm
Plate hole diameter	9 mm

ALPHA

3470U00080P62

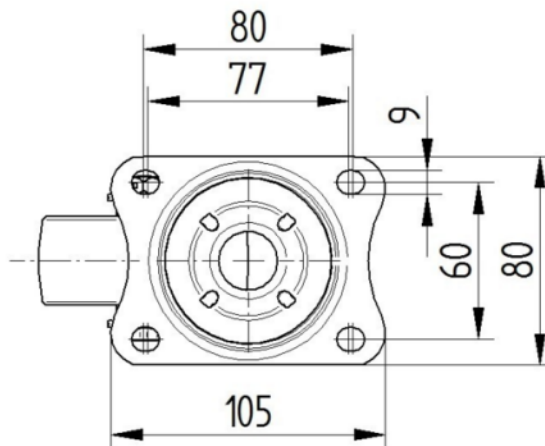
EAN 4031582010190
Order number 00006000



BETTER MOBILITY. BETTER LIFE.

TECHNICAL DRAWINGS

3470U00080P62-neu



Platte 3470-080P62-105x80

