



Image may differ from product. See technical specification for details.

## 26X37X7 HMS5 V

**Radial shaft seal with rubber outside diameter and single sealing lip, for oil or grease**

Radial shaft seals are used between rotating and stationary machine components, or between components in relative motion. HMS5 seals are designed with a rubber outside diameter. They have a conventional sealing lip made of elastomer with a garter spring to maintain the right radial load.

- High pumping rate
- With garter spring
- Accommodate misalignment

# Overview

## Dimensions

Shaft diameter	26 mm
Housing bore diameter	37 mm
Seal width	7 mm

## Performance

Limiting speed	13 140 r/min
Maximum operating temperature	200 °C
Minimum operating temperature	-25 °C
Permissible circumferential speed	17.9 m/s
Rotational speed	13 140 r/min

## Properties

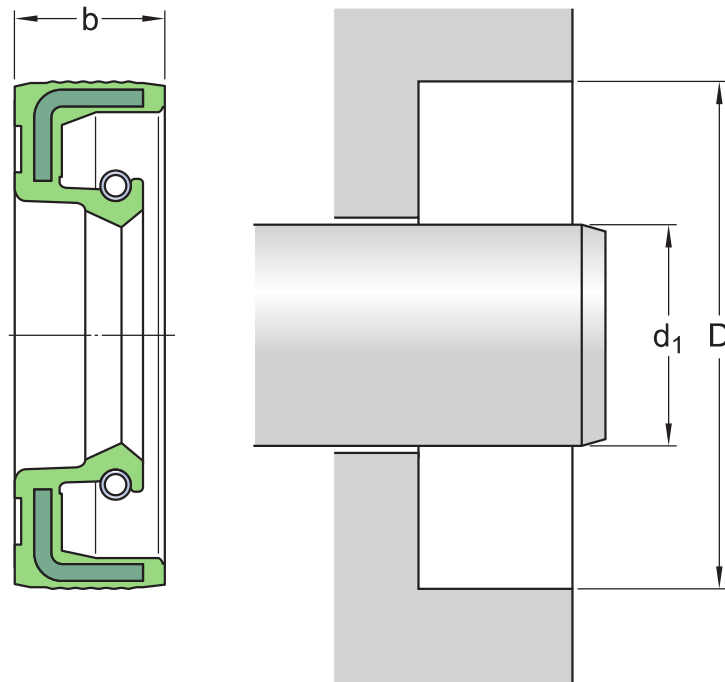
Design	HMS5
Auxiliary lip	No
Sealing lip material	Fluoro rubber (FKM)
Type of outside diameter	Rubber metal reinforced
Unit system	Metric

## Logistics

Product net weight	0.008 kg
eClass code	23-07-08-01
UNSPSC code	31181602

## Technical specification

Type of outside diameter	Rubber metal reinforced
Lip material	Fluoro rubber (FKM)
Seal design	HMS5
Compliance with standard	ISO 6194; DIN 3760



## Dimensions

d <sub>1</sub>	26 mm	Shaft diameter
D	37 mm	Housing bore diameter
b	7 mm	Seal width

## Application and operating conditions

Operating temperature	min. -25 °C
Operating temperature	max. 200 °C
Operating temperature, short periods	max. 200 °C
Circumferential speed	max. 17.9 m/s
Rotational speed	max. 13 140 r/min
Pressure differential	0.05 N/mm <sup>2</sup>

## Associated products

---

SKF Speedi-Sleeve

99103

## Compatible products

## Recommended product

---

SKF Speedi-Sleeve

[99103](#)

Terms of use