

LEVINA STAINLESS

5387PJC100P30-13 7001/3000

EAN 4031582369090
Order number 00037379



BETTER MOBILITY. BETTER LIFE.



Image may differ from the original product

PERFORMANCE

Roll performance	●●●○○
Movement noise	●●●●●
Attrition	●●●○○
Corrosion resistance	●●●●●

CORE ATTRIBUTES

Product name	Levina stainless
Housing type	Swivel castor with total lock
Standard	EN12530 - Devices Castors
Load capacity at 3 km/h	100 kg
Load capacity Static	200 kg
Temperature range (Minimum)	-10 °C
Temperature range (Maximum)	40 °C
Overall height	137 mm
Overall width	59 mm
Overall weight	0.469 kg

WHEEL

Body material	Polypropylene
Tread material	Thermoplastic rubber
Bearing	Precision ball bearing, stainless
Wheel color	Silver grey (RAL7001)
Threadguards	With threadguard
Diameter	100 mm
Tread width	32 mm
Body width	32 mm
Hardness of tread (A)	87 Shore A

HOUSING

Material	Polyamide
Fork shape	Slim
Swivel bearing	Two ball races, reinforced or stainless
Colour	Silver grey (RAL7001)
Offset	36 mm
Swivel radius	98 mm
Swivel interference	196 mm
Dome diameter	59 mm
Stainless	✓

FITTING

Fitting type	Bolt hole
Bolt hole diameter	13 mm



Universal
Design
Award



Deutscher
Designer
Club

LEVINA STAINLESS

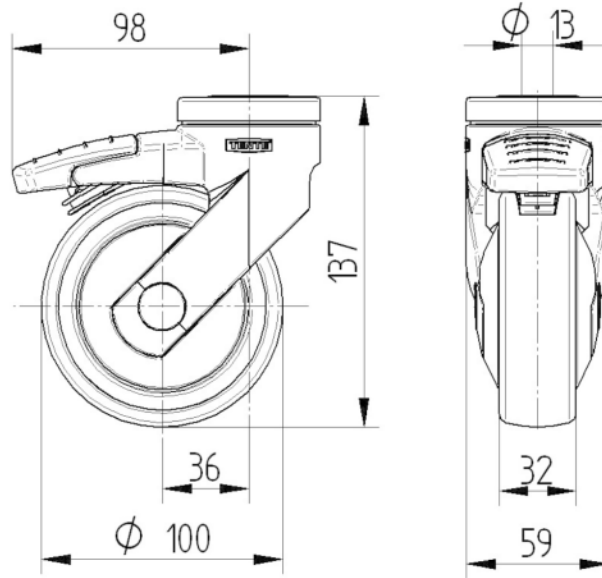
5387PJC100P30-13 7001/3000

EAN 4031582369090
Order number 00037379



BETTER MOBILITY. BETTER LIFE.

TECHNICAL DRAWINGS



Universal
Design
Award



Deutscher
Designer
Club