



Inspection of beam-mounted pull-out unit

Yearly, preferably together with rack inspection

- Inspect fitting kits for damages & check so they clamp unit tight to the rear cross beam
- Check so rear cross beam is bolted to the uprights, standard safety pins are not enough
- Ball bearings – inspect for cracks or defect seals (3)
- Locking handle – inspect for damage, test functionality so it locks the device properly (4)
- Stop bolts – check so they are undamaged and not loose (6)
- Antiskid tape and/or pallet stops – inspect for damage (Optional)
- Load capacity and safety label – check so labels are easy to read
- Check so the unit is rolling satisfactorily
- Replace unit that shows sign of improper use, for example if main structure is bent or damaged

Daily, as a part of normal work procedures

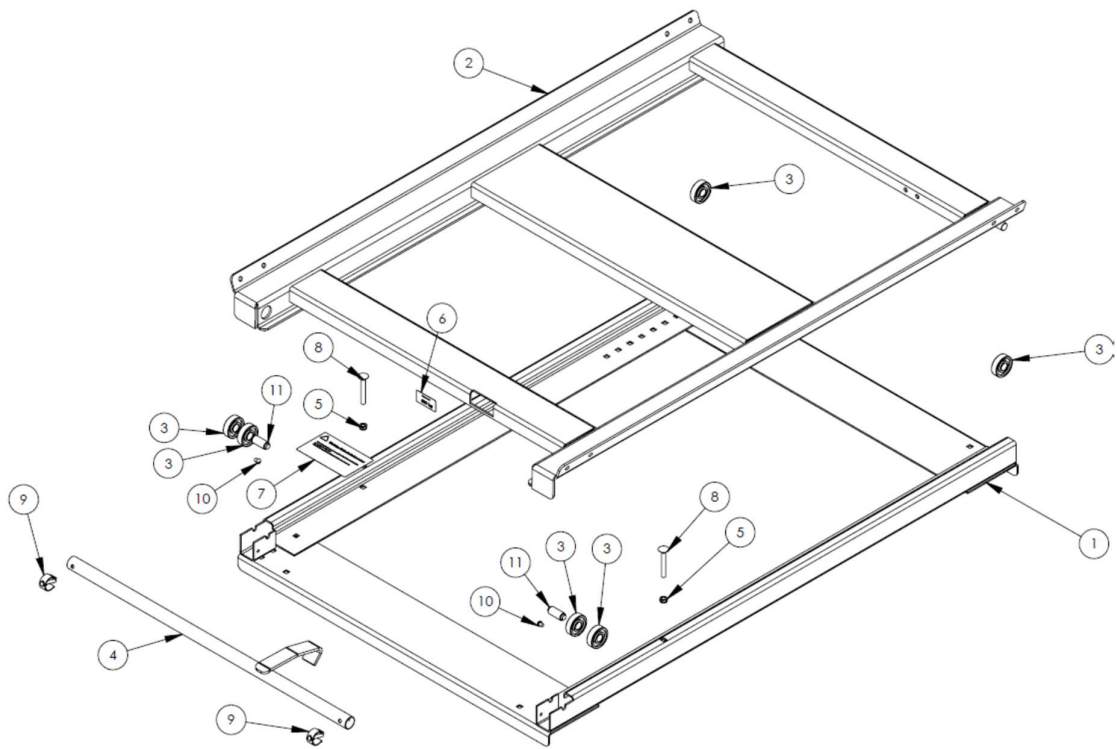
- Locking handle – report any damage causing locking handle not to work properly (4)
- Extraction - report any damage causing unit to run rough or with higher force than normal
- Damages - report if unit has been hit hard fork lift, so it can be inspected for damages



Failure to report and repair damages can result in injury or death. Never use damaged pull-out units. Contact a service technician to inspect and repair damages!

Name, title and date

Area, unit type and quantity



Exploded view, refer to number and include this page if ordering spare parts!