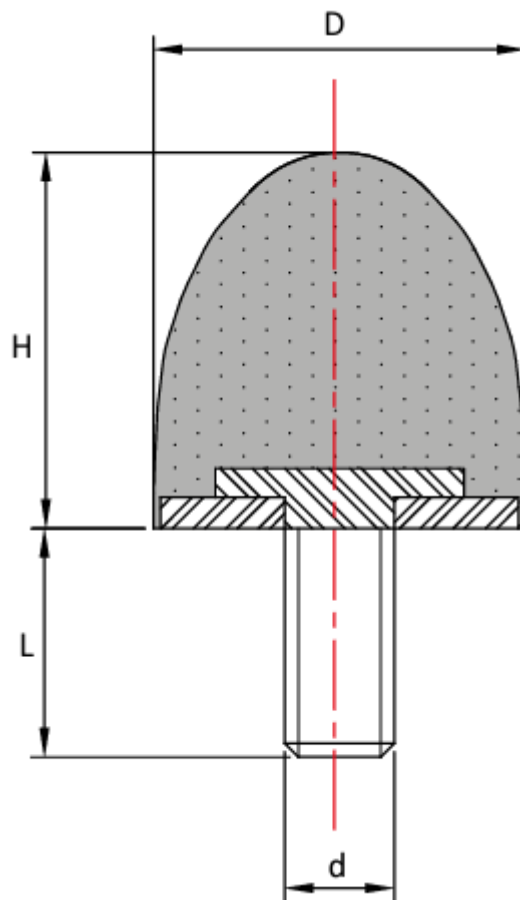




## Specification MCB – Conical Damper .

Our Art.no: MCB3445-005

Shore: 60



Part No	D x H	d x L	45° Shore A	60° Shore A	70° Shore A	mm
10095MCB31	105 x 95	M12 x 31	225.0	450.0	680.0	24.0