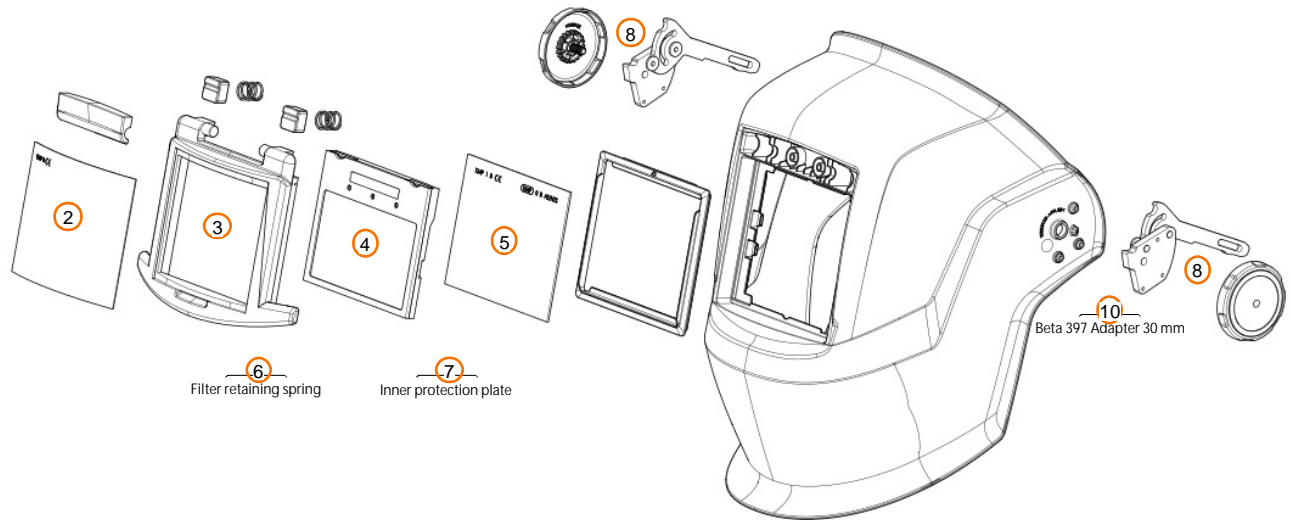


9873029, Beta e90A SH kit  
9873027, Beta e90A SH



Pos	SKU	Description	Qty	Remark
1	9873029	Kit Beta e90A SH	1	
2	SP9873253	PROTECTION PLATE (90 X 110 X 1.0)	1	
3	SP015664	HATCH SET BETA E90	1	
4	SP9873064	ADF WELDING FILTER SA 60B 9-13 90X110	1	
5	SP9873254	SAFETY PLATE (90 X 110 X 1.5)	1	
6	SP3149850	FILTER RETAINING SPRING 90, 10 pcs	1	
7	SP012425	INNER PROTECTION PLATE (106.5 X 65.5)	1	
8	SP023436	TEMPLE ARM SET FOR BETA SH	1	
9	9873027	Beta e 90A SH	1	

Pos	SKU	Description	Qty	Remark
10	WAC00008	Beta 397 Adapter 30mm	1	