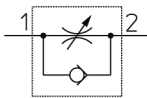


AS*2/3*1F-A, Speed Controller with One-touch Fitting, Push Lock, Elbow/Universal Type AS2201F-G01-06A

Datasheet

Using SMC speed controllers with built in one-touch fittings minimizes installation time, reduces mounting height and enables a more compact machine design. These speed controllers allow the body to be rotated to facilitate simple installation. Available in thread sizes from M3 to 1/2 in both inch (NPT) and metric R(PT) and with tube sizes from 3.2mm to 12mm OD (metric) and 1/8 to 1/2 OD (inch) and with optional elbow and universal style (increased flexibility) and meter in and meter out, these flow controls are designed to meet most applications.



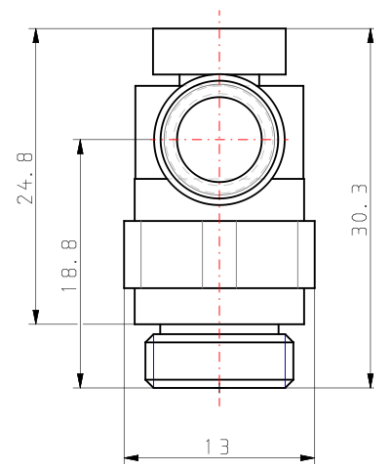
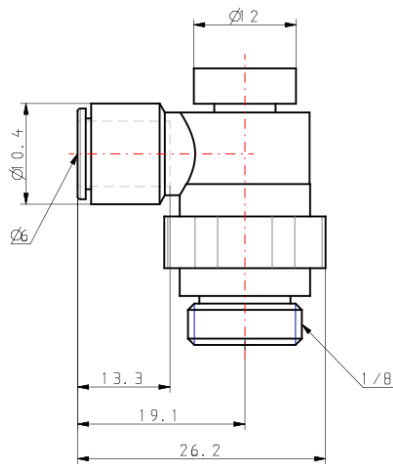
Flow control valve, adjustable, with reverse free flow

Standard specifications

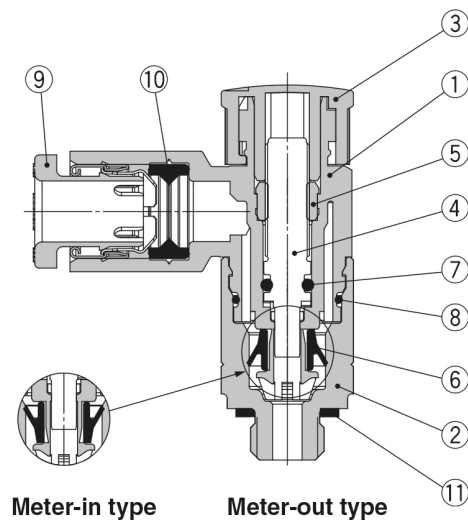
| | |
|--|------------------|
| Clean Series | None |
| Body Size | 2 (1/8, 1/4) |
| Type | 2 (Elbow) |
| Control Type | 0 (Meter-out) |
| Thread Type | G (G) |
| Port Size | 01 (1/8) |
| Across Flat [H] | Body Size 1: 9mm |
| Body Size 2, 3, 4 | None |
| Applicable Tubing O.D. | Ø6 |
| Seal | None |
| Made to Order | None |
| Pressure medium | Compressed air |
| Maximum temperature of pressure medium | 60 °C |
| Minimum temperature of pressure medium | -5 °C |
| Maximum operating pressure | 1 MPa |
| F007-MIN_OP_PRESSURE | 0.1 MPa |
| Proof pressure | 1.5 MPa |
| Maximum ambient temperature | 60 °C |
| Minimum ambient temperature | -5 °C |

| | |
|--|----------|
| Critical pressure ratio | 0.3 |
| Sonic conductance dm ³ /(s·bar) | 0.8 |
| Number of needle rotations | 10 |
| Weight | 0.010 Kg |

Dimensions



Constructions



Component Parts

| No. | Description | Material | Note |
|-----|--------------|---------------------|----------------------------|
| 1 | Body A | PBT | |
| 2 | Body B | Brass | Electroless nickel plating |
| 3 | Knob | POM | |
| 4 | Needle | PBT | |
| 5 | Needle guide | Brass | Electroless nickel plating |
| 6 | U-seal | HNBR | |
| 7 | O-ring | NBR | |
| 8 | O-ring | NBR | |
| 9 | Cassette | — | |
| 10 | Seal | NBR | |
| 11 | Gasket | NBR/Stainless steel | |

Additional information

Catalogue

[AS-1F_FG-A-Dd_EU.pdf](#)