

Elbow - AS*2*1F-A AS3211F-03-08SA

Datasheet

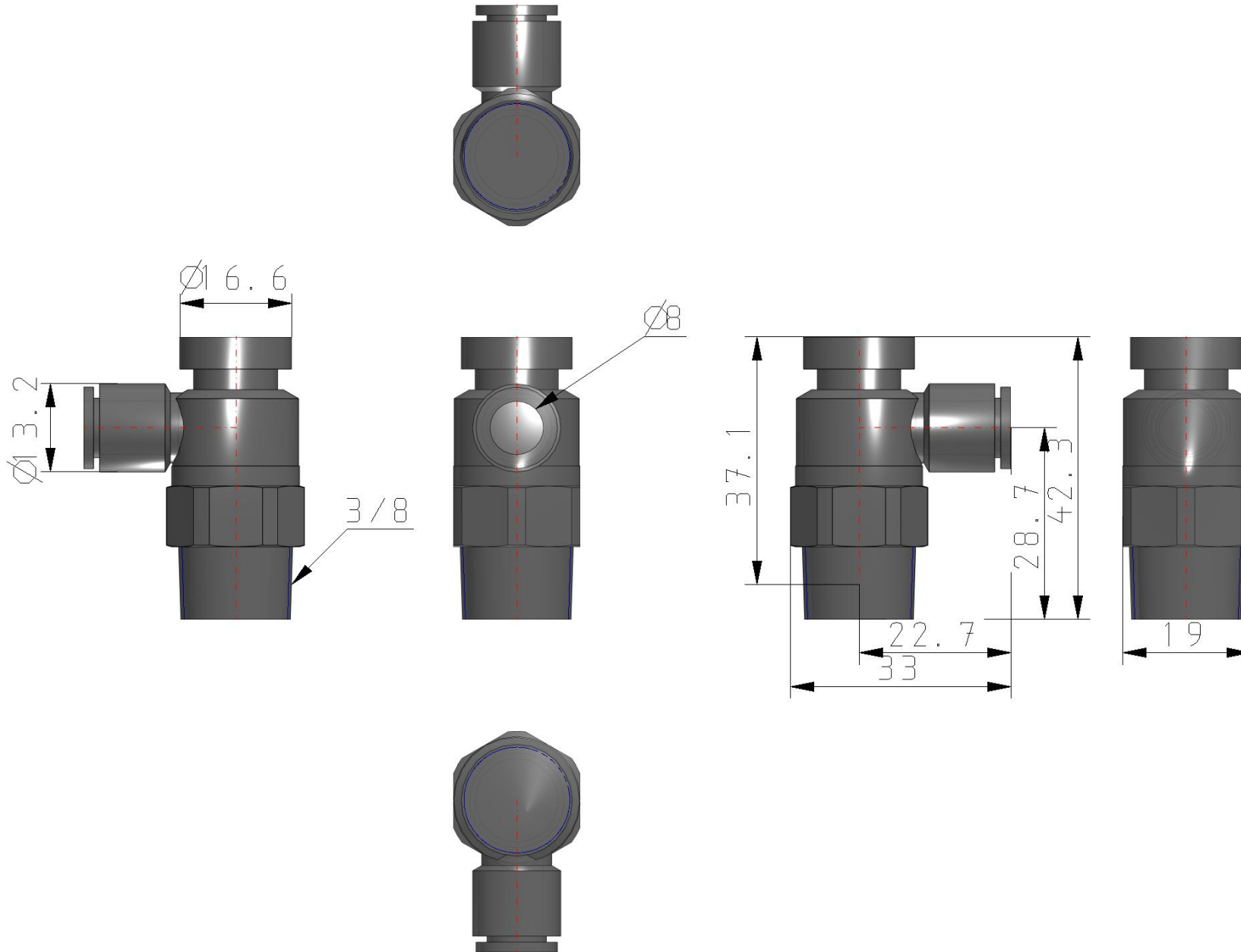
General series information

- Port Size: M5, 10-32 UNF, 1/8, 1/4, 3/8, 1/2
- Applicable Tubing O.D.: Ø 2 to Ø 16 mm and Ø 1/8" to Ø 1/2"
- Operating Pressure Range: 0.1 to 1 MPa.

Standard specifications

| | |
|----------------------------------------|------------------------------------------|
| Type | 2 (Elbow) |
| Across Flat [H] | Body Size 1: 9mm; Body Size 2, 3, 4 None |
| Body Size | 3 (3/8) |
| Control Type | 1 (Meter-in) |
| Applicable Tubing O.D. | Ø8 |
| Port Size | 03 (3/8) |
| Seal | S (w/Sealant) |
| Thread Type | R or Metric |
| Clean Series | None |
| Made to Order | None |
| Pressure medium | Compressed air |
| Maximum temperature of pressure medium | 60 °C |
| Minimum temperature of pressure medium | -5 °C |
| Maximum ambient temperature | 60 °C |
| Minimum ambient temperature | -5 °C |
| Weight | 0.031 Kg |

Dimensions



Additional information

Catalogue

[AS-1F_FG-A-Dd_EU.pdf](#)