

CP96S(D), ISO 15552 Cylinder, Double Acting, Single/Double Rod with Air cushion on both ends and Bumper cushion CP96SDB100-400C

Datasheet



- CP96-C, ISO 15552 Cylinder, Double Acting, Single/Double Rod with Air Cushion and bumper.
- New types added: double rod, non-rotating and with lock unit.
- Rod boot option added for the standard type.
- Integrated function of the air cushion and the bumper.
- Bore sizes (mm): 32 ~ 125.
- Strokes up to 2000 mm.
- Weight reduced by up to 15% thanks to the new the design of the cover and the piston.
- Many made to order available.

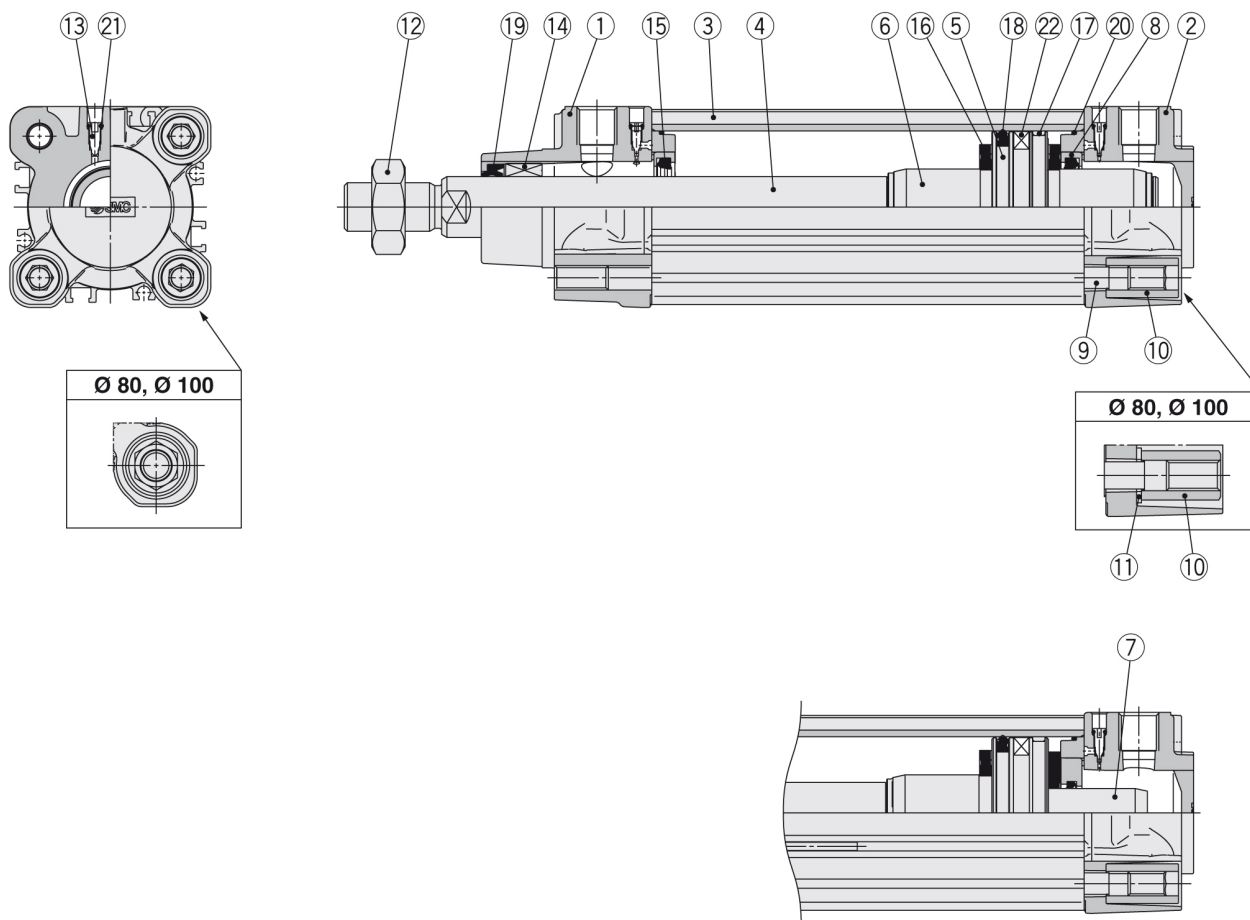


Double-acting cylinder with cushioning adjustable at both ends, single piston rod

Standard specifications

| | |
|---------------------------------|-------------------------------------------|
| Magnet | D (Built-in) |
| Mounting | B (Basic) |
| Bore Size | Ø100 mm |
| Stroke | 400 |
| Rod Boot | w/o Rod Boot |
| Rod | Single Rod |
| Auto Switch | No Switch |
| Lead Wire or Prewired Connector | 0.5m [Or None in the Case of No Switch] |
| Number | 2 pcs. [Or None in the Case of No Switch] |
| Rod End Options | None |
| Temperature Resistance | None |
| Heavy Duty Scraper | None |
| Tie Rod | None |
| Fluororubber Seal | None |
| Coil Scraper | None |
| Made of Stainless Steel | None |

Constructions



Component Parts

| No. | Description | Material | Note |
|-----|----------------------|--------------------|--------------|
| 1 | Rod cover | Aluminium die-cast | |
| 2 | Head cover | Aluminium die-cast | |
| 3 | Cylinder tube | Aluminium alloy | |
| 4 | Piston rod | Carbon steel | |
| 5 | Piston | Aluminium alloy | Ø 32 to Ø 63 |
| | | Aluminium die-cast | Ø 80, Ø 100 |
| 6 | Cushion ring A | Aluminium alloy | |
| 7 | Cushion ring B | Aluminium alloy | |
| 8 | Cushion seal holder | Aluminium alloy | |
| 9 | Tie-rod | Carbon steel | |
| 10 | Tie-rod nut | Steel | |
| 11 | Flat washer | Steel | Ø 80, Ø 100 |
| 12 | Rod end nut | Steel | |
| 13 | Cushion valve | Resin | |
| 14 | Bushing | Bearing alloy | |
| 15 | Cushion seal | Urethane | |
| 16 | Bumper | Urethane | |
| 17 | Wear ring | Resin | |
| 18 | Piston seal | NBR | |
| 19 | Rod seal | NBR | |
| 20 | Cylinder tube gasket | NBR | |
| 21 | Cushion valve seal | NBR | |
| 22 | Magnet | | |

Replacement Parts/Seal Kit (Single rod)

| Bore size [mm] | Kit no. | Contents |
|----------------|----------|-------------------------------------|
| 32 | CS95-32 | Kits include items 15, 17 to 20. |
| 40 | CS95-40 | |
| 50 | CS95-50 | |
| 63 | CS95-63 | |
| 80 | CS95-80 | |
| 100 | CS96-100 | |

Seal Kit (Double rod)

| Bore size [mm] | Kit no. | Contents |
|----------------|-----------|-------------------------------------|
| 32 | CS95W-32 | Kits include items 15, 18 to 20. |
| 40 | CS95W-40 | |
| 50 | CS95W-50 | |
| 63 | CS95W-63 | |
| 80 | CS95W-80 | |
| 100 | CS96W-100 | |

Additional information

Catalogue

[CP96-Bb_EU.pdf](#)