

Elbow - AS*2*1F-A AS3211F-03-10SA

Datasheet

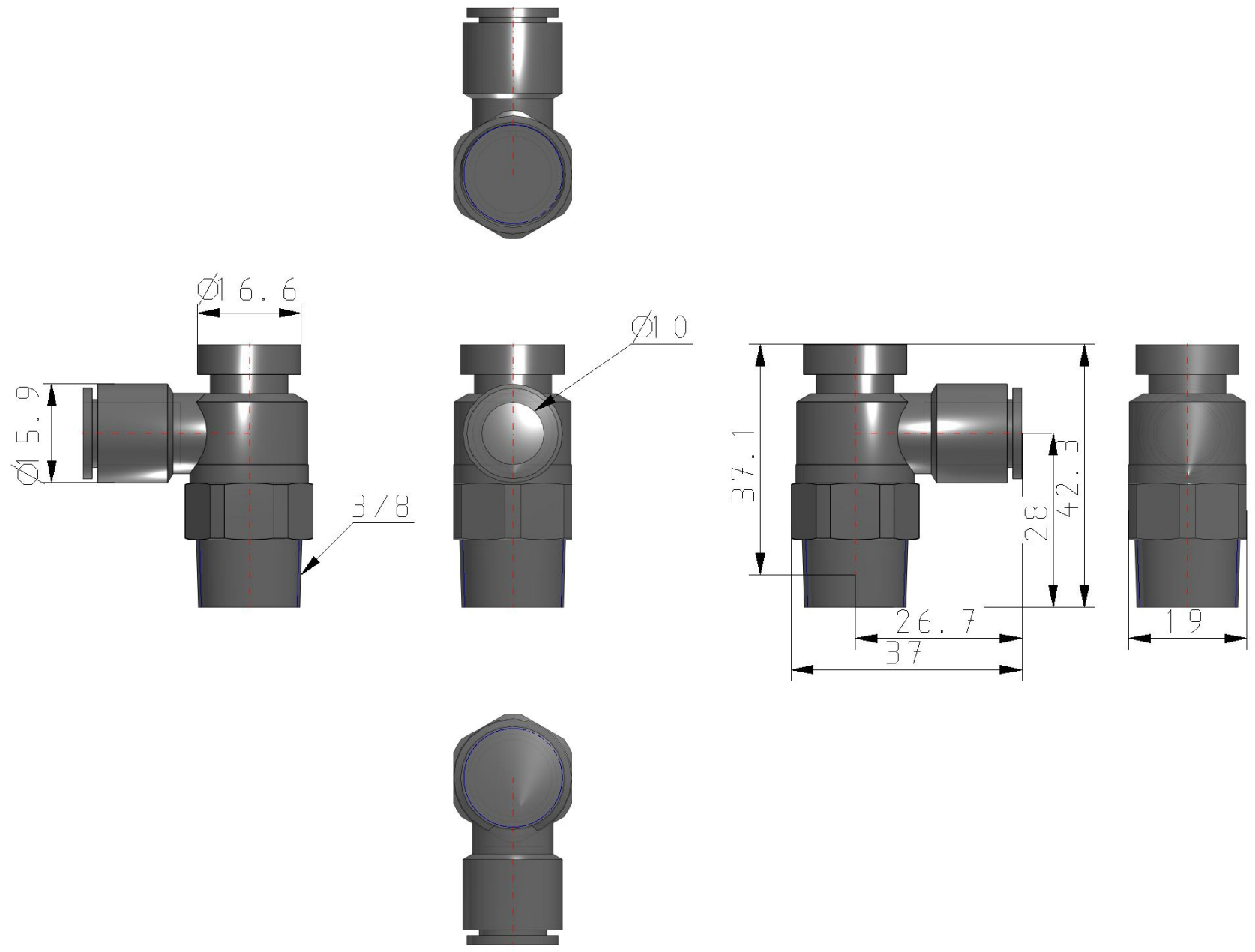
General series information

- Port Size: M5, 10-32 UNF, 1/8, 1/4, 3/8, 1/2
- Applicable Tubing O.D.: Ø 2 to Ø 16 mm and Ø 1/8" to Ø 1/2"
- Operating Pressure Range: 0.1 to 1 MPa.

Standard specifications

Type	2 (Elbow)
Across Flat [H]	Body Size 1: 9mm; Body Size 2, 3, 4 None
Body Size	3 (3/8)
Control Type	1 (Meter-in)
Applicable Tubing O.D.	Ø10
Port Size	03 (3/8)
Seal	S (w/Sealant)
Thread Type	R or Metric
Clean Series	None
Made to Order	None
Pressure medium	Compressed air
Maximum temperature of pressure medium	60 °C
Minimum temperature of pressure medium	-5 °C
Maximum ambient temperature	60 °C
Minimum ambient temperature	-5 °C
Weight	0.032 Kg

Dimensions



Additional information

Catalogue

[AS-1F_FG-A-Dd_EU.pdf](#)