

KK*P-*M, S-Couplers, Male Thread KK2P-M5M

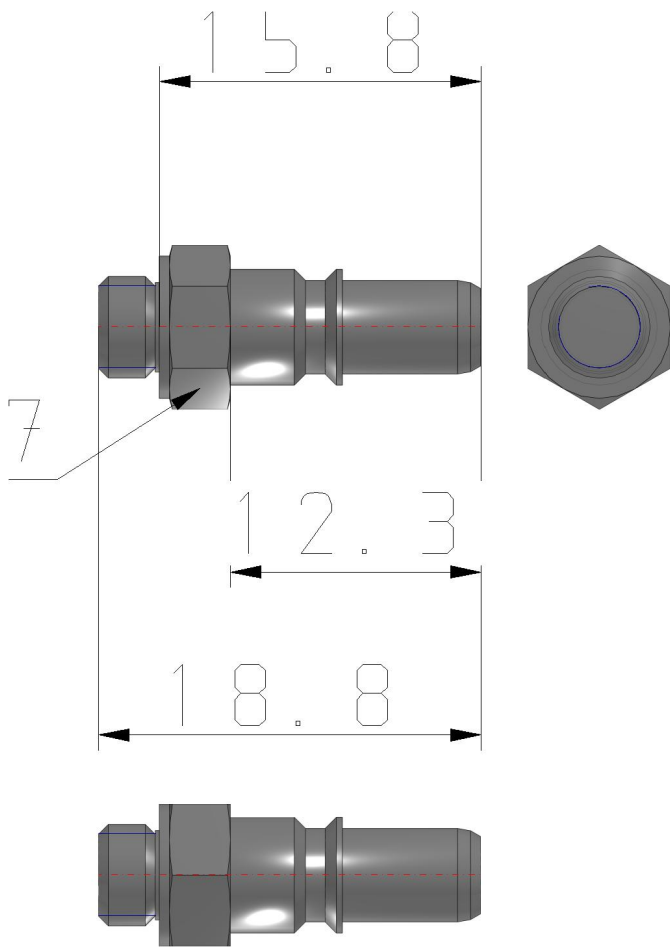
Datasheet

- Male thread.
- Body size: M5, 1/8, 1/4, 1/2.
- Applicable Port Size: M5, R1/8, R1/4, R3/8, R1/2, R3/4.

Standard specifications

Body Size	2 (M5)
Piping Port Size	M5x0.8
Sealant	None
-	Air, Water
Maximum operating pressure	1.0 MPa
Minimum operating pressure	-100 kPa
Proof pressure	1.5 MPa
Effective Area	3.8 mm ²
Sealing principle	Electroless nickel plated (copper-free application), With male thread sealant

Dimensions



Additional information

Catalogue

[KK-C_EU.pdf](#)