

C(D)Q2, Compact Cylinder, Double Acting, Single Rod w/Auto Switch Mounting Groove

CDQ2B50TF-100DZ

Datasheet

- Double acting, single rod, compact cylinder
- Bore sizes (mm): 12, 16, 20, 25, 32, 40, 50, 63, 80, 100
- Standard stroke range (mm): 5 to 100
- Port threads: M (12 to 25 bore); Rc, NPT or G (32 to 100 bore)
- Can mount small auto switches on 4 surfaces.

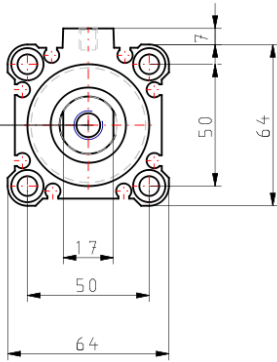
Standard specifications

| | |
|---------------------------------|--------------------------------------|
| Magnet | D (Built-in) |
| Mounting | B (Through Hole [Standard]) |
| Type | Standard |
| Bore Size | Ø50 mm |
| Port Thread Type | TF |
| Lube-retainer | Without Stable Lubrication Function |
| Stroke | 100 |
| Body Option | Standard [Rod End Female Thread] |
| Auto Switch Groove | None, also for 12-25 Bore w/o Magnet |
| Mounting Bolt | None |
| Rod End Bracket | None |
| Auto Switch | No Switch |
| Lead Wire or Prewired Connector | Z (5 m) |
| Number | 2 pcs. |
| Rod End Options | None |
| Temperature Resistance | None |
| Low Speed | None |
| Made of Stainless Steel | None |
| Fluororubber Seal | None |

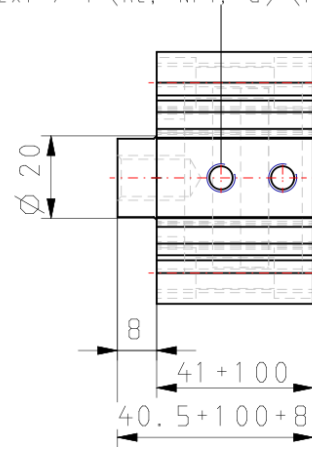
| | |
|--------|----------------|
| - | Compressed air |
| Weight | 1.153 Kg |

Dimensions

M10 x 1.5 thread effective depth 15



2x1 / 4 (Rc, NPT, G) (Port size)



Additional information

Catalogue

[CQ2-Z-B_EU.pdf](#)