

## C(D)Q2, Compact Cylinder, Double Acting, Single Rod w/Auto Switch Mounting Groove

### CDQ2A50TF-25DZ

#### Datasheet

- Double acting, single rod, compact cylinder
- Bore sizes (mm): 12, 16, 20, 25, 32, 40, 50, 63, 80, 100
- Standard stroke range (mm): 5 to 100
- Port threads: M (12 to 25 bore); Rc, NPT or G (32 to 100 bore)
- Can mount small auto switches on 4 surfaces.

### Standard specifications

|                                 |                                      |
|---------------------------------|--------------------------------------|
| Magnet                          | D (Built-in)                         |
| Mounting                        | A (Both Ends Tapped)                 |
| Type                            | Standard                             |
| Bore Size                       | Ø50 mm                               |
| Port Thread Type                | TF                                   |
| Lube-retainer                   | Without Stable Lubrication Function  |
| Stroke                          | 25                                   |
| Body Option                     | Standard [Rod End Female Thread]     |
| Auto Switch Groove              | None, also for 12-25 Bore w/o Magnet |
| Mounting Bolt                   | None                                 |
| Rod End Bracket                 | None                                 |
| Auto Switch                     | No Switch                            |
| Lead Wire or Prewired Connector | Z (5 m)                              |
| Number                          | 2 pcs.                               |
| Rod End Options                 | None                                 |
| Temperature Resistance          | None                                 |
| Low Speed                       | None                                 |
| Made of Stainless Steel         | None                                 |
| Fluororubber Seal               | None                                 |

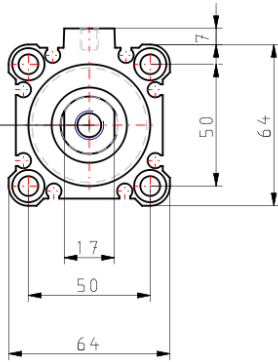
- | Compressed air

---

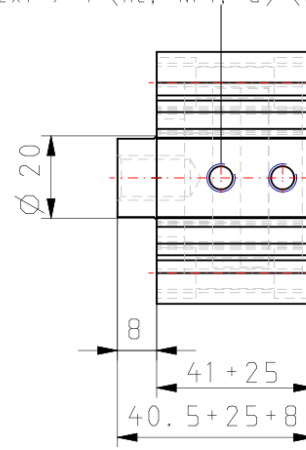
Specifications are subject to change without prior notice and any obligation on the part of the manufacturer.

# Dimensions

M10 x 1.5 thread effective depth 15



2x1 / 4 (Rc, NPT, G) (Port size)



## Additional information

Catalogue

[CQ2-Z-B\\_EU.pdf](#)