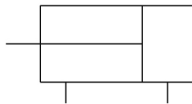




## C(D)85, ISO Standard Cylinder, Double Acting, Single Rod CD85N16-10-B

### Gegevensblad

The C85 series conforms to ISO 6432 and CETOP RP52P. The C85 is available in bore sizes 8mm through 25mm with standard strokes ranging from 10mm through 300mm. A unique rod packing design prevents entry of dust and the effectiveness of the seal is such that the C85 is suitable for use in extremely dusty environments. With abrasion resistant packings and replaceable nose seals, the C85 offers exceptional service life.

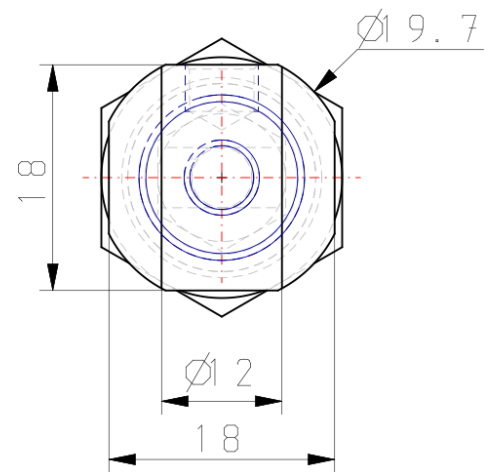
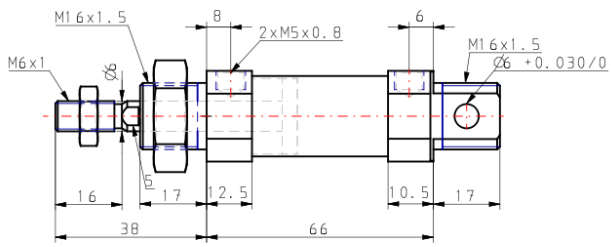


*Double-acting cylinder, non-rotating single  
piston rod*

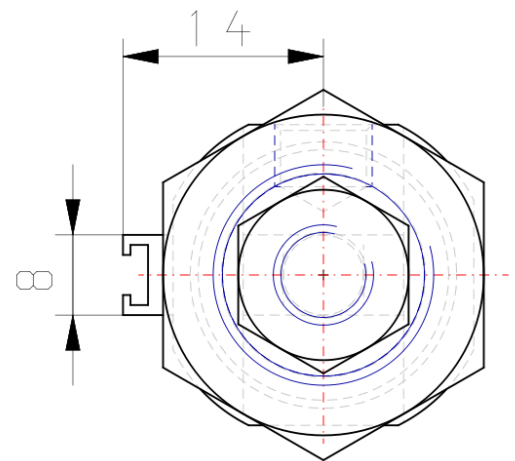
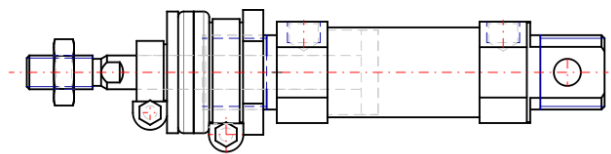
## Standaardspecificaties

Magnet	D (Built-in Magnet)
Mounting	N (Basic Integrated Clevis)
Bore Size	16mm
Stroke	10
Cushion	Rubber Cushion
Rod Boot	None
Auto Switch Mounting Type	B (Band)
Rod End Options	None
Temperature Resistance	None
Low Speed	None
Stainless Steel	None
Long Stroke	None
Mediumdruk	Compressed Air
Maximale temperatuur van druk medium	80 °C
Maximale temperatuur van druk medium met magneet	60 °C
Minimale temperatuur van druk medium	-20 °C [without condensation]
Minimale temperatuur van druk medium met magneet	-10 °C [without condensation]
Maximum operating pressure	1 MPa
Minimum operating pressure	0.05 MPa
Proof pressure	1.5 Mpa
Maximale omgevingstemperatuur	80 °C
Maximum ambient temperature	80°C
Maximale omgevingstemperatuur met magneet	60 °C
Maximum ambient temperature with magnet	60°C
Minimale omgevingstemperatuur	-20 °C
Minimum ambient temperature	-20°C
Minimale omgevingstemperatuur met magneet	-10 °C
Minimum ambient temperature with magnet	-10°C
Conform de Europese RoHS-richtlijn	Conform
Aantal pneumatische verbindingen	2 pcs.
Pneumatic input connection	M5
Pneumatic output connection	M5
Bedieningsmodus aandrijving	Double acting
Theoretical cylinder force, advance stroke (at 0.5 MPa)	100.6 N
Theoretical cylinder force, return stroke (at 0.5 MPa)	86.4 N
Maximum piston speed	1500 mm/s
Type of cushioning	Rubber bumper
Piston rod end	External thread
Geometrische vorm van de zuigerstang	Single rod
Male thread of rod end	M6
Bruikbaar slangmateriaal	Polyurethane
Weight	0.117 Kg

### Afmetingen:

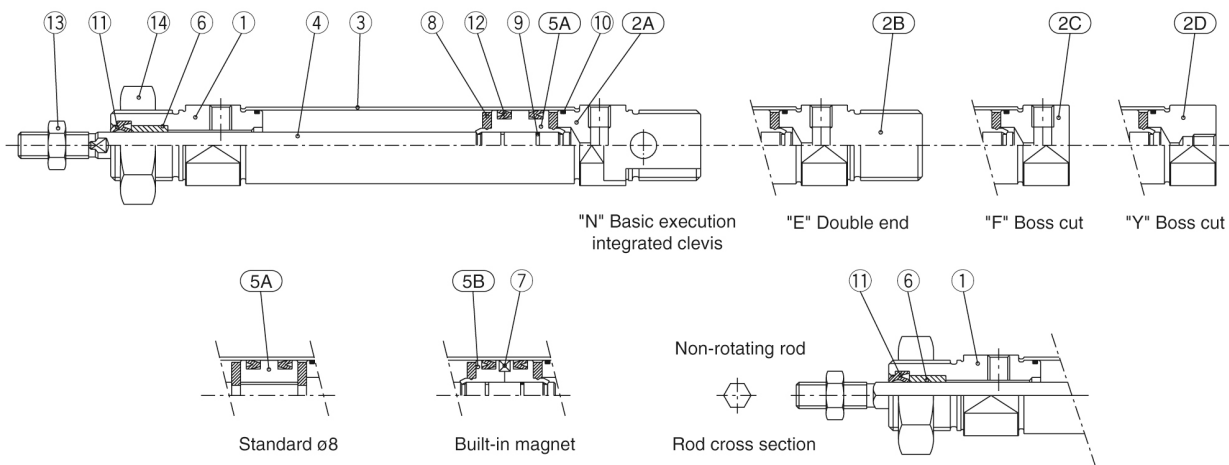


( $\varnothing 20$ ,  $\varnothing 25$ )



## Constructies

### Double acting: Single rod C□85□8 to16 Rubber bumper (Disassembly is not possible)



#### Component Parts

No.	Description	Material	Quantity	Remarks
①	Rod cover	Aluminum alloy	1	White anodized
②A	Head cover N	Aluminum alloy	1	White anodized
②B	Head cover E	Aluminum alloy	1	White anodized
②C	Head cover F	Aluminum alloy	1	White anodized
②D	Head cover Y	Aluminum alloy	1	White anodized
③	Cylinder tube	Stainless steel	1	
④	Piston rod	Stainless steel	1	
⑤A	Piston A	Brass	1	
⑤B	Piston B	Brass	2	(Switch style piston)

No.	Description	Material	Quantity	Remarks
⑥	Bushing	Sintered bronze	1	
⑦	Magnet		1	(Switch style only)
⑧	Bumper	Urethane	2	
⑨	Piston gasket	NBR	1	(2 for switch style)
⑩	Tube gasket	NBR	2	
⑪	Rod seal	NBR	1	
⑫	Piston seal	NBR	2	
⑬	Rod end nut	Carbon steel	1	Nickel plated
⑭	Mounting nut	Carbon steel	1	Nickel plated

## Aanvullende informatie

Catalogus

C85\_C75-A\_EU.pdf

## Gerelateerde producten



JA, Floating Joint, Standard



AS\*2/3\*1F-A, Speed Controller with One-touch Fitting, Push Lock, Elbow/Universal Type



SY3000, 5 Port Solenoid Valve, All Types (New Product)



RJ, Shock Absorber, Soft Type



M9NW/M9PW/M9BW, 2 Colour Indication Style Solid State Switch, Direct Mounting, Grommet, In-line