

MGQM (ø12 to ø32), Compact Guide Cylinder, Slide Bearing MGQM50-75

Datasheet

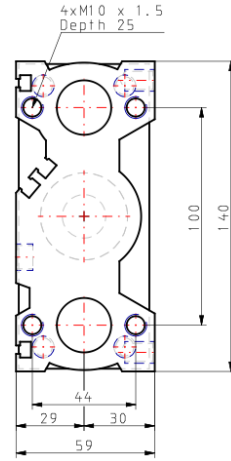
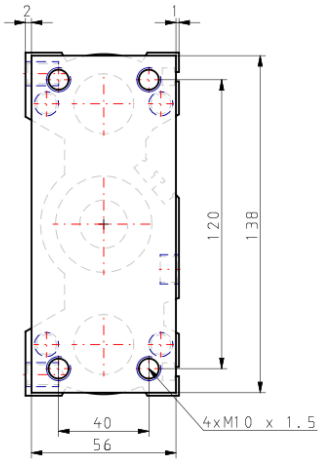
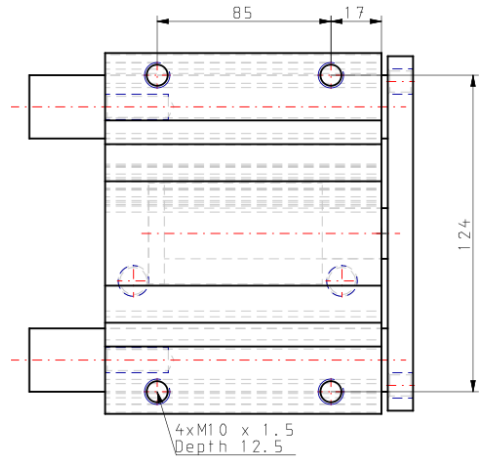
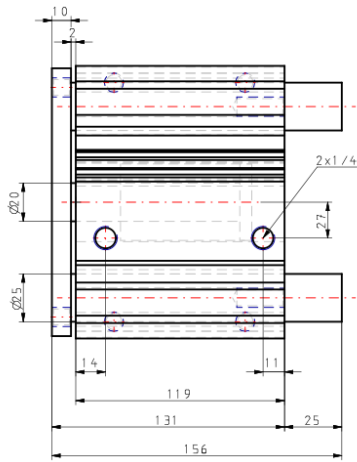
General series information

- Compact guide cylinder
- Bore sizes: 12, 16, 20, 25, 32 (mm)
- Strokes from 10mm through 200mm depending upon bore size
- Variety of switches and a variety of lead wire lengths.

Standard specifications

Bore Size	50mm
Stroke	75
Lead Wire or Prewired Connector	0.5m (Or None in the Case of No Switch)
Fluororubber Seal	None
Number	2 pcs. (Or None in the Case of No Switch)
Low speed	None
Rod End Options	None
Temperature Resistance	None
Auto Switch	No Switch
Thread Type	Rc(PT)
Pressure medium	Air
Maximum temperature of pressure medium	60 °C
Minimum temperature of pressure medium	-10 °C (No freezing)
Maximum ambient temperature	60 °C
Minimum ambient temperature	-10 °C (No freezing)
Number of pneumatic connections	2 pcs.
Mode of operation of drive	Double acting
Weight	3.750 Kg

Dimensions



Additional information

Catalogue

[MGQ_EU.pdf](#)