

## KK\*P-\*F, S-Couplers, Female Thread

### KK4P-02F

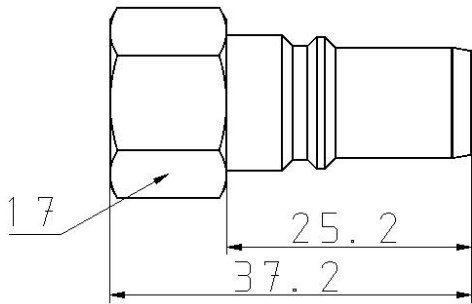
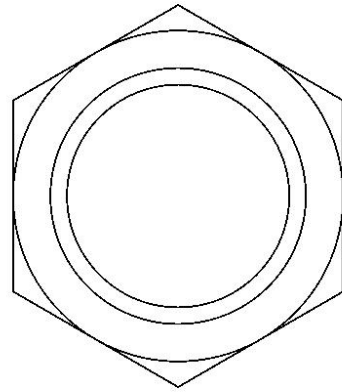
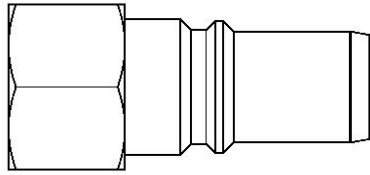
#### Datasheet

- Female Thread.
- Body size: M5, 1/8, 1/4, 1/2.
- Applicable Port Size: M5, Rc1/8, Rc1/4, Rc3/8, Rc1/2.

### Standard specifications

Body Size	4 (1/4)
Piping Port Size	Rc 1/4
-	Air, Water
Maximum operating pressure	1.0 MPa
Minimum operating pressure	0 kPa
Proof pressure	1.5 MPa
Effective Area	39 mm <sup>2</sup>
Sealing principle	Electroless nickel plated (copper-free application), With male thread sealant

## Dimensions



## Additional information

Catalogue

[KK-C\\_EU.pdf](#)